

OmniLib/FCO



High-Speed Fibre Channel Option For OmniLib/RLS-TLS Series Tape Libraries

The Fibre Channel Options (FCO) connect OmniLib/TLS-Series SANSmart enabled automated tape libraries to Storage Area Networks (SAN). SAN technology provides high-speed data transfer, unencumbered by LAN user traffic, for backup, data migration and other throughput-intensive applications.



INDUSTRY LEADING PERFORMANCE

The OmniLib/FCO incorporate the latest technology to provide sustained data transfer rates approaching 200 MB/second per channel and delivering over 16,000 IOPs per channel. Each OmniLib/FCO contains multiple Ultra160 SCSI busses to insure that the tape drives within the library are able to achieve and sustain their maximum aggregate throughput. The dual-channel OmniLib/FCO for eight and twelve-drive libraries provides two independent fibre channel connections for high-availability requirements and fast data transfers.

EASY IMPLEMENTATION

The OmniLib/FCO utilizes industry standard GBICs and SFPs to deliver sustained performance over distances up to ten (10) kilometers. The OmniLib/FCO option supports Fibre Channel Arbitrated Loop (FC-AL) topology and Fibre Channel Switched Fabric (FC-SW) topologies to integrate into most SAN architectures. Popular host bus adapters, hubs and switches are supported to provide easy connectivity in most installations.

FAST INSTALLATION

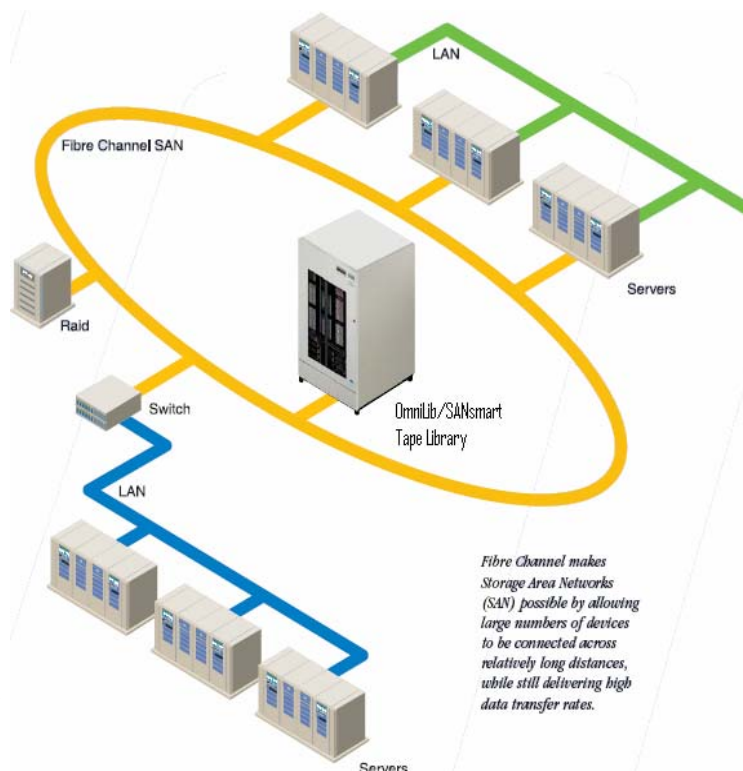
Q-Link, the browser-based remote library manager, is built into every OmniLib/FCO, making configuration, monitoring and administration easy. The OmniLib/FCO is also fully integrated with the OmniLib/TLS menu control system to provide complete configuration and management from the library front panel. No additional installation software is required.

QUALSTAR: SIMPLY RELIABLE

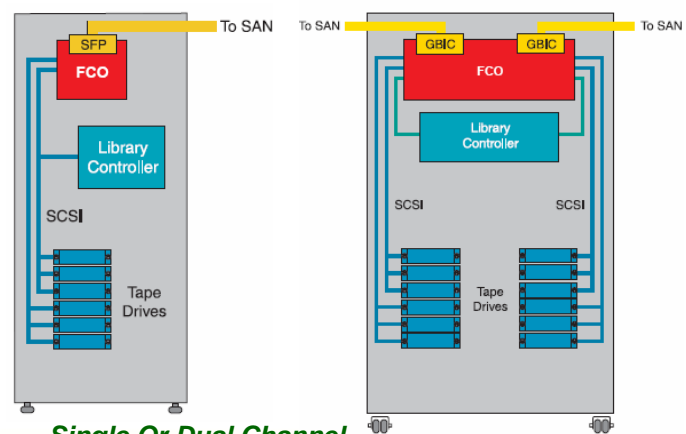
Installation and support is provided directly from CUC, a factory trained and certified Qualstar System Integration partner. Qualstar's *Simply Reliable* Tape Libraries are the preferred choice of IT professionals worldwide.

TECHNICAL SPECIFICATIONS

- ◆ Single or dual Fibre Channel host ports
- ◆ Over 200 MB/second per port
- ◆ Over 16,000 IOPs per port
- ◆ FC-AL and FC-SW topologies
- ◆ 1Gb or 2Gb auto-negotiating
- ◆ PLDA compliant
- ◆ Class 3 service
- ◆ SCSI-FCP protocol
- ◆ Uses standard 2Gb GBICs and SFPs



Fibre Channel makes Storage Area Networks (SAN) possible by allowing large numbers of devices to be connected across relatively long distances, while still delivering high data transfer rates.



Single Or Dual Channel